

Model AR-6500 series

Contact & Non-Contact Thermometer

AR-6500 series infrared thermometers are capable of non-contact temperature measurement and come with contact type thermometer functions.

AR-6500模式系列

AR-6500模式系列为非接触式红外线温度计,同时也搭配了接触式温度计功能。

AR-6500シリーズは、非接触で温度測定が可能な放射温度計に、接触式温度計の機能を搭載した温度計です。



Features

- Broad measurement range
- Small measurement area
- Wide range of emissivity settings
- Automatic emissivity setting using contact-type probe

Specifications

| Model | AR-6500 | AR-6501 | AR-6500-H | AR-6501-H |
|--|--|---------------------------------|-----------|--------------|
| Measurement range | -50~500°C | | 0~1200°C | |
| Resolution | 0.1°C | | 1°C | |
| Laser aiming | ● | ● | ● | ● |
| Contact mode | ● | ● | ● | ● |
| Measurement accuracy | *TABLE I | | *TABLE II | |
| Reference junction compensation accuracy | ±0.2°C at 25±10°C | | | |
| Temperature coefficient | ±0.01% of full scale °C | | | |
| Power supply | Ni-Cd rechargeable battery (4AA) | | | |
| Battery life | 30 hours~ (10 hours when laser is used continuously) | | | |
| Environmental limit | Operation | 0~40°C, 0~80%RH (Without dew) | | |
| | Storage | -20~50°C, 0~85%RH (Without dew) | | |
| Analog output (*Table III) | — | 1mV/°C | — | 1mV/°C |
| Weight | approx. 400g | | | |
| Accessories | Manual, Soft case, Lens cap, Charger | | | |
| | — | Output cable | — | Output cable |

*TABLE I

| AR-6500, AR-6501 | | Field of view | | | | |
|------------------|-----------|--|-----|------|------|------|
| | | φ15 | φ19 | φ52 | φ95 | φ137 |
| | | 50 | 500 | 1000 | 1500 | 2000 |
| | | unit : mm | | | | |
| Non-contact | 250~500°C | ± (0.8% of reading + 1 digit) | | | | |
| | 0~250°C | ± (2°C + 1 digit) | | | | |
| | -50~ 0°C | ± (3°C + 1 digit) | | | | |
| Contact | -50~500°C | ± (0.05% of reading + 0.1°C) ± 1 digit | | | | |

Non-contact mode

| | |
|-----------------------|-------------------------------|
| Detector | Thermopile |
| Spectral response | 8~14 μm |
| Repeatability | ± (0.4% of reading + 1 digit) |
| Response time | approx. 300ms |
| A-constant adjustment | 0.10~2.00 (0.01 step) |
| Laser aiming | L2 models meet ICE Class2 |

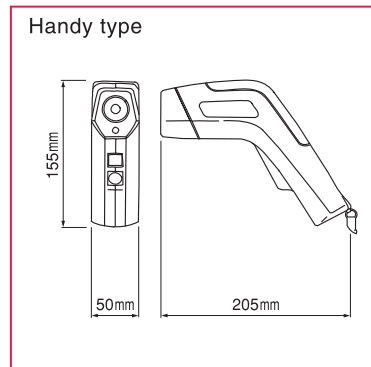
Contact mode

| | |
|-----------------|--------------------------------|
| Input | Thermocouple Type : K |
| Sampling time | approx. 300ms |
| Input connector | ANP connector (Miniature plug) |

*TABLE II

| AR-6500-H, AR-6501-H | | Field of view | | | |
|----------------------|------------|-------------------------------|------|------|------|
| | | φ12 | φ33 | φ60 | φ87 |
| | | 500 | 1000 | 1500 | 2000 |
| | | unit : mm | | | |
| Non-contact | 600~1200°C | ± (0.5% of reading + 1 digit) | | | |
| | 250~ 600°C | ± (3°C + 1 digit) | | | |
| | 0~ 250°C | ± (4°C + 1 digit) | | | |
| Contact | 0~1200°C | ± (0.1% of reading + 1 digit) | | | |

Dimensions



Accessories

Charger
B-115/230-5.5
(for AC115V or 230V)



Not CE-approval

*TABLE III

| | |
|-------------|--|
| Output rate | 1mV / °C |
| Accuracy | ± (0.15% of F/S+1mV) : at 25±5°C |
| | ± (0.15% of F/S+1mV) ±0.01% of F/S : except 25°C±5°C |