

Model WE series

Self Supporting Probes

Model WE series probes are temperature sensors designed for stationary surfaces. These self-supporting probes can be used to measure temperature simply by placing the probe on the measurement target.

Specific components may be combined to customize products for the needs of a customer's specific application.

WE模式系列

WE模式系列产品是静止表面用温度感应器，因感应器自身的重力作用，只需置放在测试对象表面即可测试温度。通过对各个规格的组件进行重新组合的方式，可以按照客户的使用需求进行选配。

モデルWEシリーズは、センサ自身の重さにより計測対象の上に置くだけで温度測定できる静止表面用温度センサです。

各パーツの仕様を組み合わせる事により、お客様の用途に合わせてカスタマイズする事が出来ます。

Typical probes of WE series

Type K Model WE-11K-TS1-ANP
Type E Model WE-11E-TS1-ANP

Temp. range	Tolerance	Response time	Durability
-50~250°C	±2.5°C (at 100°C surface)	0.5 s	A

Type K Model WE-12K-GW1-ANP
Type E Model WE-12E-GW1-ANP

Temp. range	Tolerance	Response time	Durability
-50~500°C	±2.5°C (at 100°C surface)	1.0 s	A

Type K Model WE-21K-TS1-ANP
Type E Model WE-21E-TS1-ANP

Temp. range	Tolerance	Response time	Durability
-50~250°C	±2.5°C (at 100°C surface)	0.5 s	A

Type K Model WE-22K-GW1-ANP
Type E Model WE-22E-GW1-ANP

Temp. range	Tolerance	Response time	Durability
-50~500°C	±2.5°C (at 100°C surface)	1.0 s	A

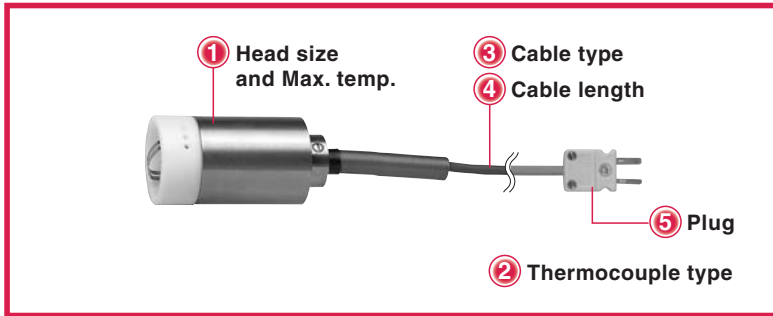
Type K Model WE-31K-TA1-ANP
Type E Model WE-31E-TA1-ANP

Temp. range	Tolerance	Response time	Durability
-50~200°C	±2.5°C (at 100°C surface)	2.0 s	A

Type K Model WE-42K-GW1-ANP
Type E Model WE-42E-GW1-ANP

Temp. range	Tolerance	Response time	Durability
-50~500°C	±2.5°C (at 100°C surface)	2.5 s	A

How to order of WE series



WE-11K-TS1-ANP



① Head size and Max. temp.	11 : $\phi 20\text{mm} \times 34\text{mm}$ $-50 \sim 250^\circ\text{C}$ 12 : $\phi 20\text{mm} \times 34\text{mm}$ $-50 \sim 500^\circ\text{C}$ 21 : $\phi 30\text{mm} \times 34\text{mm}$ $-50 \sim 250^\circ\text{C}$ 22 : $\phi 30\text{mm} \times 34\text{mm}$ $-50 \sim 500^\circ\text{C}$ 31 : $\phi 20\text{mm} \times 17.5\text{mm}$ $-50 \sim 200^\circ\text{C}$ 42 : $\phi 30\text{mm} \times 25.5\text{mm}$ $-50 \sim 500^\circ\text{C}$
② Thermocouple type	K : Chromel-Alumel E : Chromel-Constantan
③ Cable type (See page 5)	TS : For WE-11, WE-12 GW : For WE-21, WE-22, WE-42 TA : For WE-31 <small>($\phi 0.9\text{mm}$ Sheath material is teflon)</small>
④ Cable length	1 : 1m 1.5 : 1.5m 2 : 2m 2.5 : 2.5m
⑤ Plug (See page 4)	ANP : P plug ASP : S plug W : Without plug

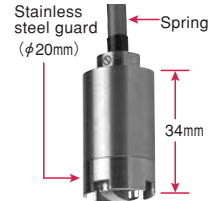
① Head size and Max. temp.

You can choose head size and Max. temp. as below.

11 :



12 :



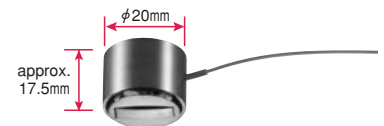
21 :



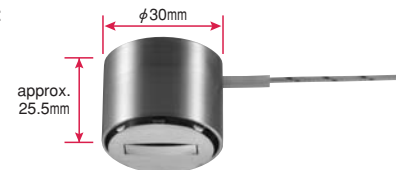
22 :



31 :



42 :



Specifications

Tolerance	$\pm 2.5^\circ\text{C}$ (at 100°C surface)
Response time	WE-11, WE-21 : 0.5 s WE-12, WE-22 : 1.0 s WE-31 : 2.0 s WE-42 : 2.5 s
Durability rank	A
Max. temp.	WE-11, WE-21 : 250°C WE-12, WE-22, WE-42 : 500°C WE-31 : 200°C