

Temperature and Humidity Transmitter

Wide range humidity measurement for indoor environments

Model THT-N series



THT-N Series is the best detector for indoor measurement of temperature and humidity. It comes with a reliable, proven macro-molecule humidity sensor and has durable enclosures for factory, plant and building automation applications. It is high precision enable a highly stable indication for recording and controlling temperature and humidity.

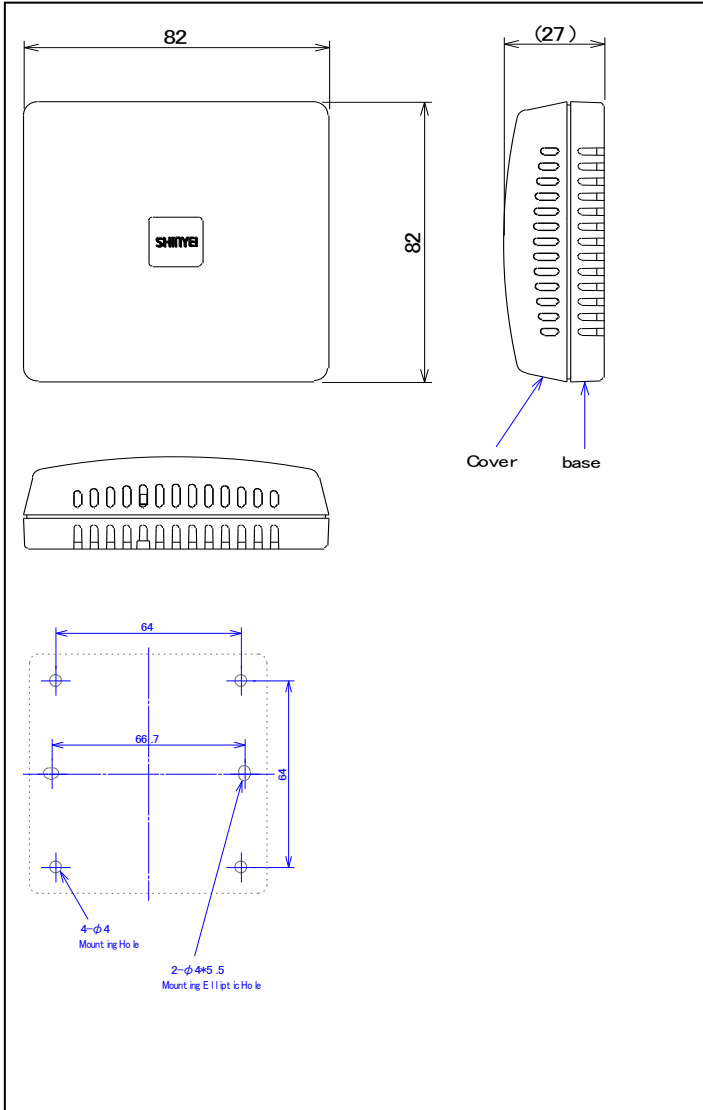
Characteristic

Mounting system	Space mounting	Duct mounting
Humidity Sensor	Shinyei Humidity Sensor HPR-MQ	
Temperature Sensor	PT100 Ohm	
Input Voltage	12 to 24 VDC	
Operating Temperature Range	-40 to 70°C (Sensor) -40 to 60°C (Electronics)	
Operating Humidity Range	99%rh or less, non-condensation (Sensor) 95%rh or less, non-condensation (Electronics)	
Humidity Output	0 to 5VDC, 0 to 10 VDC, 4 to 20mA *Linear output for 0 to 100%rh full scale	
Humidity Measurement Accuracy	±2%, 3%, 5%rh (at 25°C, from 20%rh to 95%rh)	
Temperature Output	No temperature output, same as humidity output or PT100 Ohm resistance output Standard: Linear output for 0 to 50°C full scale Option: Linear output for -40 to 60°C full scale available only with ±2% rh humidity measurement accuracy	
Temperature Sensing – Accuracy	+/-0.3°C (at 25°C)	
Temperature Sensing – Temp. Effect	Less than 0.02% / °C	

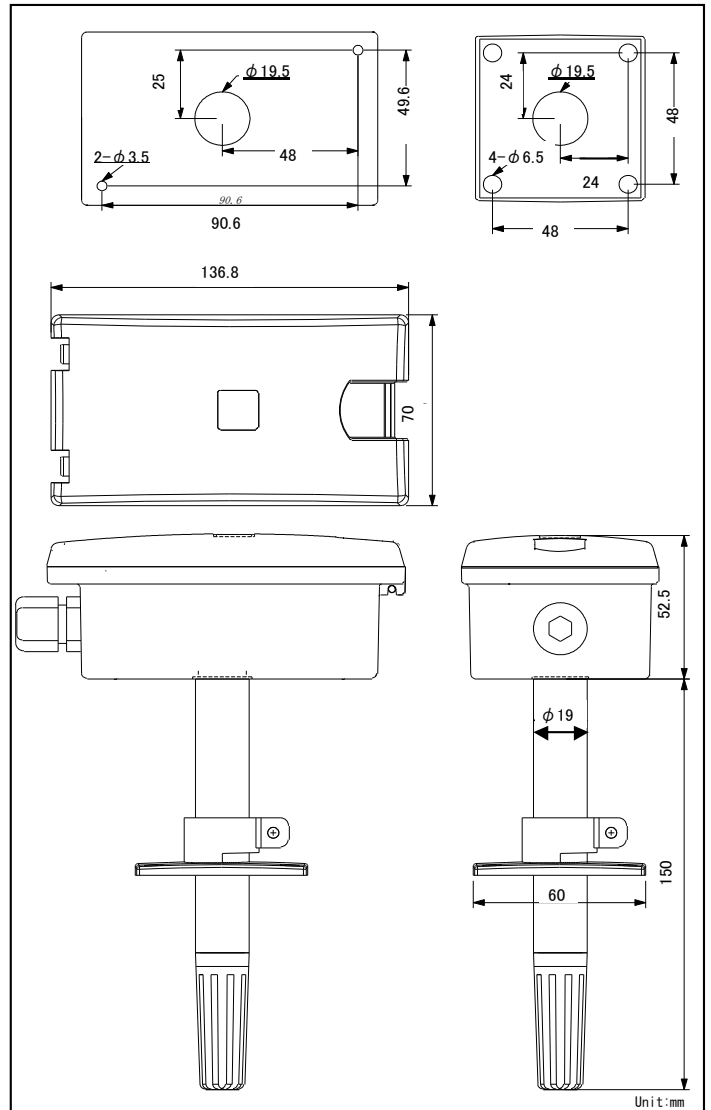
Configuration

(unit: mm)

Model THT-N Space Mounting



Model THT-N Duct Mounting



* Flange is an option.

Ordering Information THT-N

Item #	Item	Contents	①	②	③	④	⑤
1	Configuration	Space Mount	1				
		Duct Mount	2				
2	Humidity Output (for 0-100%rh)	0 to 5VDC		1			
		0 to 10VDC		2			
		4 to 20mA		6			
3	Temperature Output (for 0 to 50°C)	No Temperature output			2		
		Same as humidity output			3		
		Pt 100 Ohm resistance output (3-wire)			4		
4	Humidity Measurement Accuracy	±2%rh (20 to 95%rh, at 25°C)					A2
		±3%rh (20 to 95%rh, at 25°C)					A3
		±5%rh (20 to 95%rh, at 25°C)					A5
	Wide Temperature Output	Humidity Measurement Accuracy	1	6	3	B	W
		±2%rh (20 to 95%rh, at 25°C)	1	2	3	B	W
		Temperature Output for -40 to 60°C	2	6	3	B	W
		2	2	3	B	W	

Ordering Example

THT-N163B-A2: Space Mount RH & Temperature transmitter, RH&T Output 4 to 20mA for 0 to 100%rh, 0 to 50°C, ±2%rh humidity measurement accuracy at 25°C, 20 to 95%rh.

THT-N223B-W: Duct Mount RH&Temperature Transmitter, RH&T Output 0 to 10 VDC for 0 to 100%rh, -40 to 60°C, ±2%rh humidity measurement accuracy at 25°C, 20 to 95%rh.

Remark: We have the right to revise specifications and product configurations without notice.



Shinyei Corporation of America

24 W 40th street, 4th floor

New York, NY 10018

TEL: 917-484-7884

FAX: 212-704-4206

E-mail : tony.tokuya@sca-shinyei.com