

Model HHT series

High Temperature Probes

Model HHT series probes are high-durability temperature sensors designed to measure high-temperature surfaces. Specific components may be combined to customize products for the needs of a customer's specific application.

HHT 模式系列

HHT 模式系列产品是耐久型高温表面温度感应器。通过对各个规格的组件进行重新组合的方式，可以按照客户的使用需求进行选配。

モデルHHTシリーズは、耐久形高温表面温度センサです。各パーツの仕様を組み合わせる事により、お客様の用途に合わせてカスタマイズする事が出来ます。

Typical probes of HHT series

Type K Model HHT-41K-10-TC1-ANP



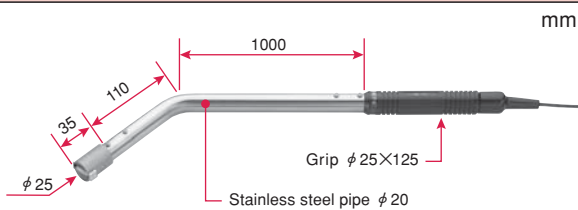
Temp. range	Tolerance	Response time	Durability
-50~800°C	±3.8°C (at 500°C surface)	4 s	※

Type K Model HHT-51K-10-TC1-ANP



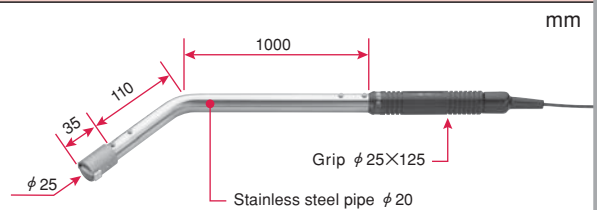
Temp. range	Tolerance	Response time	Durability
300~1100°C	±3.8°C (at 500°C surface)	5 s	※

Type K Model HHT-42K-10-TC1-ANP



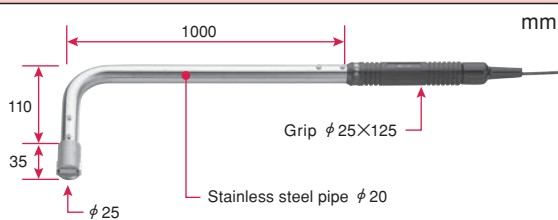
Temp. range	Tolerance	Response time	Durability
-50~800°C	±3.8°C (at 500°C surface)	4 s	※

Type K Model HHT-52K-10-TC1-ANP



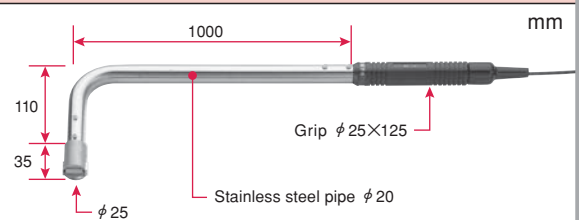
Temp. range	Tolerance	Response time	Durability
300~1100°C	±3.8°C (at 500°C surface)	5 s	※

Type K Model HHT-43K-10-TC1-ANP



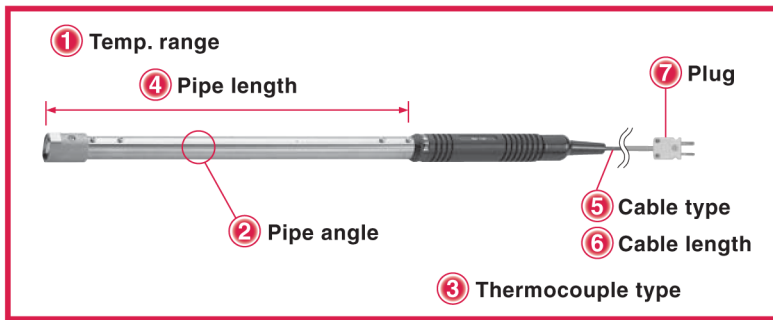
Temp. range	Tolerance	Response time	Durability
-50~800°C	±3.8°C (at 500°C surface)	4 s	※

Type K Model HHT-53K-10-TC1-ANP



Temp. range	Tolerance	Response time	Durability
300~1100°C	±3.8°C (at 500°C surface)	5 s	※

How to order of HHT series



HHT-51K-10-TC1-ANP

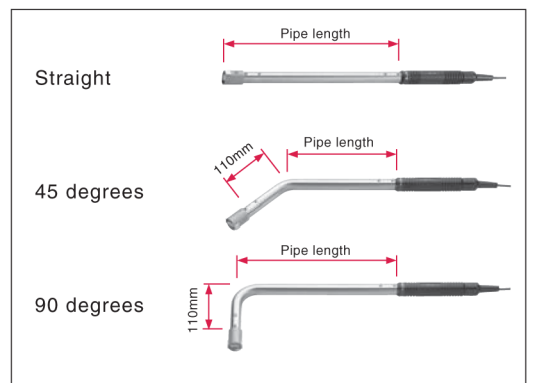


② Pipe angle

1	Straight	
2	45 degrees	
3	90 degrees	

④ Pipe length

(mm)



05	500
06	600
07	700
08	800
09	900
10	1000
11	1100
12	1200
13	1300
14	1400
15	1500
20	2000

① Temp. range	4 : -50~800°C 5 : 300~1100°C
② Pipe angle	1 : Straight 2 : 45 degrees 3 : 90 degrees
③ Thermocouple type	K : Chromel-Alumel E : Chromel-Constantan
④ Pipe length	05 : 500mm 10 : 1000mm 15 : 1500mm 20 : 2000mm
⑤ Cable type (See page 5)	TC :
⑥ Cable length	1 : 1m 1.5 : 1.5m 2 : 2m 2.5 : 2.5m
⑦ Plug (See page 4)	ANP : P plug ASP : S plug W : Without plug

Specifications

Tolerance		±3.8°C (at 500°C surface)
Response time	HHT-4*	4 s
	HHT-5*	5 s
Durability rank	HHT-4*	800°C : More than 60,000 contacts
	HHT-5*	800°C : More than 60,000 contacts 900°C : More than 15,000 contacts 1000°C : More than 5,000 contacts 1100°C : More than 300 contacts
Max. temp.	HHT-4*	800°C
	HHT-5*	1100°C